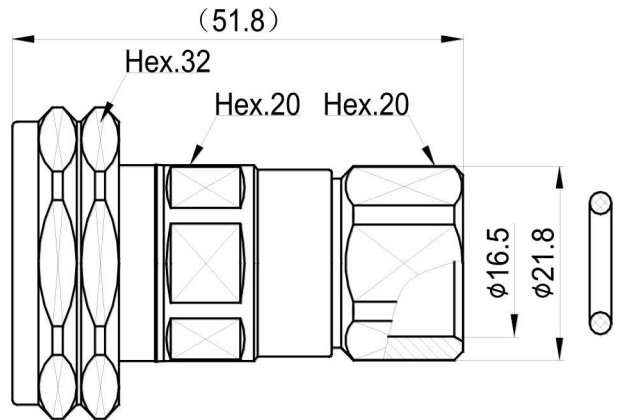


**TECHNICAL SPECIFICATION**

HXQJ15644

7/16M-1/2"L

Rev:A/0

**1. Figure****2. Product Description**

7/16M-1/2"L

7/16 Straight male Connector for 1/2" Flexible RF Cable

**3. Material and Plating**

|                        |                             |
|------------------------|-----------------------------|
| Inner Conductor Pin    | Brass / Silver Plating      |
| Inner Conductor Socket | Tin Bronze / Silver Plating |
| Insulator              | PTFE/TPX                    |
| Body & Outer Conductor | Brass / Trimetal Plating    |
| Gasket                 | Silicon Rubber              |
| Nut                    | Brass/Nickel Plating        |

**4. Electrical Characteristics**

|                                 |           |
|---------------------------------|-----------|
| Characteristics Impedance       | 50 Ohm    |
| Frequency Range                 | DC~7.5GHz |
| Insulation Resistance           | ≥10000MΩ  |
| Dielectric Withstanding Voltage | 4000V rms |
| Operating Voltage               | 2700V rms |
| Center contact resistance       | ≤0.40 mΩ  |
| Outer contact resistance        | ≤0.20 mΩ  |
| Insertion Loss                  | ≤0.05dB   |
| Return Loss(dB) @0.8-1.0 GHz    | ≥30       |
| @1.7-2.2 GHz                    | ≥28       |
| PIM3 @900MHz                    | ≤-116dBm  |

**5. Environmental and Mechanical Specifications**

|                              |   |
|------------------------------|---|
| Durability (matings)         | ≥500 cycles                               |
| Mechanical Shock Test Method | MIL-STD-202, Method 213, Test Condition D |
| Vibration Test Method        | MIL-STD-202, Meth. 204, Cond. A           |
| Temperature Range            | -65°C to +85°C                            |
| RoHS                         | Compliant                                 |
| Sealing Class                | IP68                                      |

The facts and figures contained herein are carefully compiled to the best of our knowledge, but they are intended for general informational purposes only.